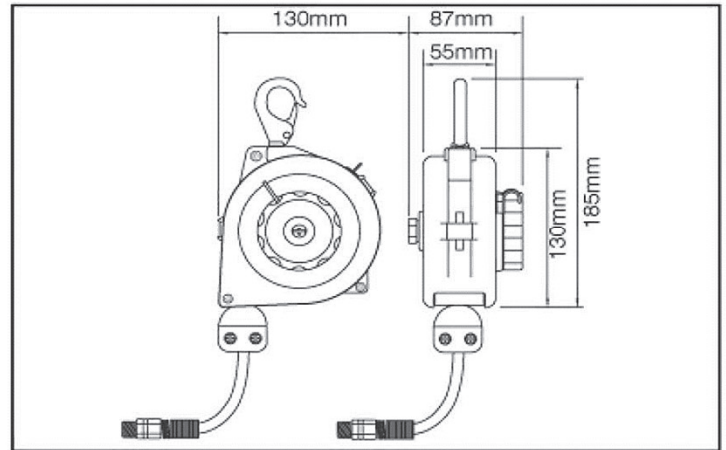


44-SAR-09-PU0805002



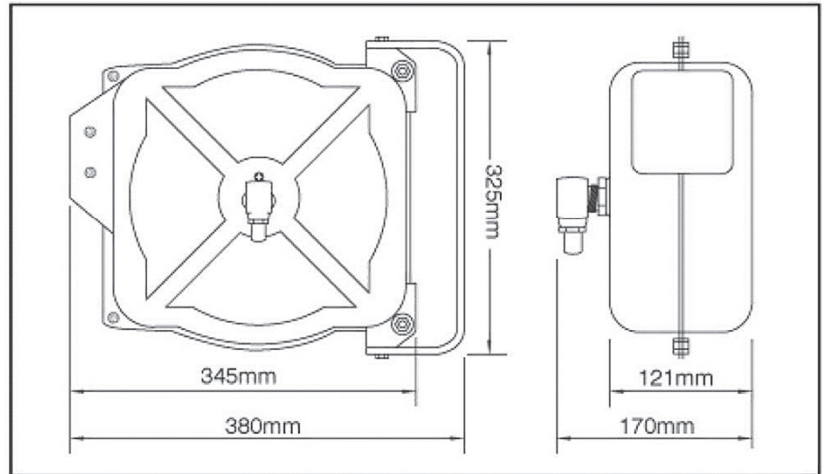
Description:

A light automatic hose reel with sturdy plastic housing.
Wall mounting or ceiling mount, suspend using the karabiner clip is possible, (both items included).

Technical information:

Tube material:	PU	Housing material:	ABS
Tube colour:	blue	Housing colour:	grey
Tube diameter:	8 mm, OD 5 mm, ID	Pressure connection:	R ¼ female
Tube length	2,5 m	Weight:	approx.. 1 Kg
Connection:	R ¼ male, with spring-kink protection	Working temperature:	-5°C to +60°C
Max. working pressure:	8 bar		
Burst pressure:	25 bar		

44-SAR-04-PUB1208012



Description:

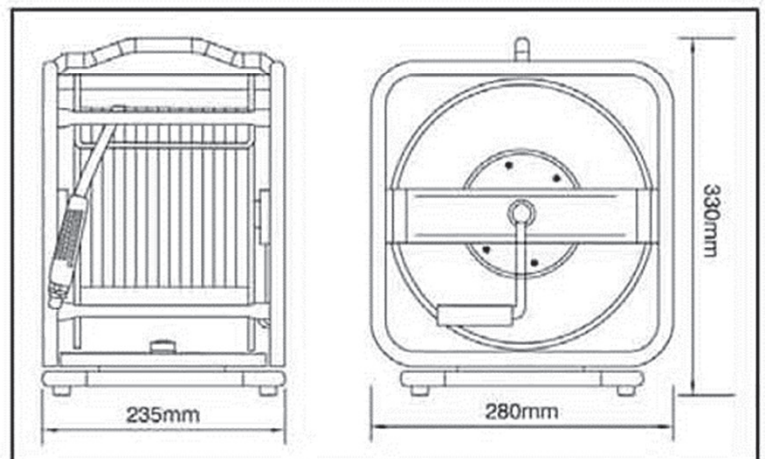
Automatic hose reel with steel housing.
Sturdy swivel wall mounting including fixing materials.

Technical information:

Tube material:	PU, reinforced	Housing material:	steel
Tube colour:	blue	Housing colour:	blue, powder-coated
Tube diameter:	12 mm, OD 8 mm, ID	Pressure connection:	R 1/4 male
Tube length	12 m	Hose length for pressure connection:	0,5 m
Connection:	R 1/4 male, with spring-kink protection	Weight:	approx.. 9,5 Kg
Max. working pressure:	15 bar	Working temperature:	-5°C to +60°C
Burst pressure:	60 bar		

The model 44-SAR-04 is as well available with a tube diameter of 15mm (OD) and 10 mm (ID) and a tube length of 10m.
The model number is changing to : **44-SAR-04-PUB1501010**. All other technical information remain the same.

44-MAR-02-PUB151020



Description:

Manual hose reel with steel tube frame protection.
Transportable Sturdy wall/foot mounting.

Technical information:

Tube material:	PU, reinforced	Housing material:	steel/steel tube frame
Tube colour:	blue	Housing colour:	black, powder-coated
Tube diameter:	15 mm, OD 10 mm, ID	Pressure connection:	R 3/8 male
Tube length	20 m	Hose length for pressure connection:	1,1 m
Connection:	R 3/8 male, with spring-kink protection	Weight:	approx.. 9 Kg
Max. working pressure:	15 bar	Working temperature:	-5°C to +60°C
Burst pressure:	60 bar		